

SAF-T VENT EZ SEAL QUICK KIT INSTALLATION INSTRUCTIONS

These instructions apply to the installation of the 93QK1H (3" diameter) and 94QK2H (4" diameter) EZ Seal Quick Kits.

CERTIFICATIONS/CODE COMPLIANCE

These Heatfab Vent Kits are designed for side wall venting of instantaneous (tankless) water heaters and wall hung boilers. These systems are UL Listed for use with gas burning appliances that require vents listed for Category III, IV (or Type BH in Canada) applications with a maximum continuous flue gas temperature of 480°F (245°C) and maximum positive pressure of 8" W.C. These kits contains five easy to install parts that provide the ability to vent through combustible walls. The Vent Kits are compatible with standard Heatfab Saf-T Vent products.

Heatfab Special Gas Vent parts listed and produced under the factory inspection and Follow-Up program of Underwriters Laboratories Inc. carry the LISTING MARK illustrated here.

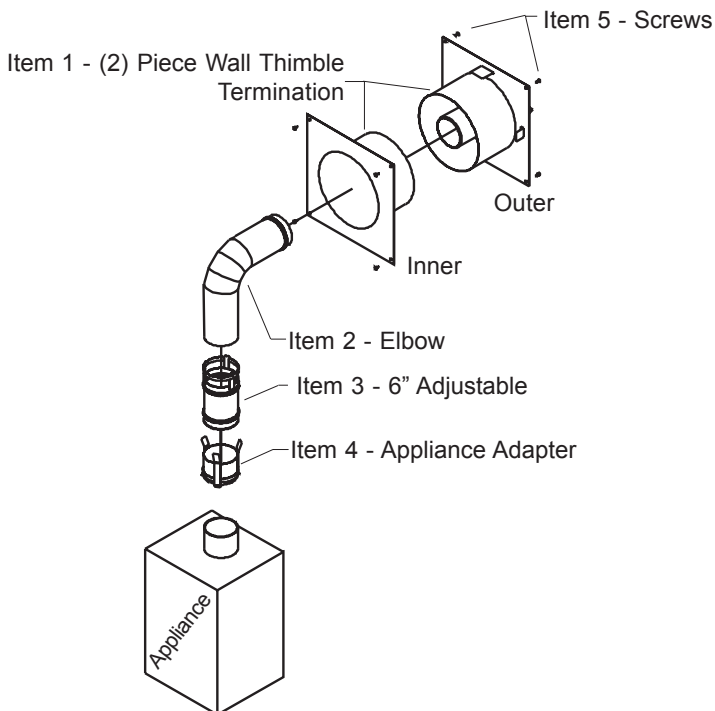


Be sure to read these instructions and the appliance manufacturer's instructions completely before proceeding with the installation of the kit. Additional information regarding the use and installation of Heatfab products can be found on our Web site WWW.HEATFAB.COM. Local codes and regulations should be followed.

KIT COMPONENTS:

The following items are included in the box for this kit. See Fig 1.

- Item 1- Wall Thimble Termination 93QK1H- or 94QK2H- (2 part) (Inner & Outer)
- Item 2- 90 degree elbow 93QK1H-E or 94QK1H-E
- Item 3- 6-inch adjustable 93QK1H-S or 94QK1H-S
- Item 4- 4-inch length adapter 9301BSH or 94QK1H-A
- Item 5- Hardware kit (8 screws)
 - 3 packets of di-electric grease (for gaskets)



Kit Components
Figure 1

KEY POINTS TO CONSIDER BEFORE BEGINNING THE INSTALLATION:

1. Proper operation of the vent system and appliance depends on the use and correct assembly of all parts specified by Heatfab for this kit installation.
2. Do not substitute parts. Different Manufacturers have different joint systems and adhesives. **DO NOT MIX PIPE, FITTINGS, OR JOINING METHODS FROM DIFFERENT MANUFACTURERS.**
3. The UL listing for this product is void if components other than those supplied as Listed components by Heatfab are used. All warranties, stated or implied, are void if this product and the appliance to which it is connected are not installed in accordance with their respective instructions and applicable code requirements.
4. Examine all components for possible shipping damage prior to installation.
5. **CAUTION: RISK OF FIRE OR CO POISONING.** Proper joint assembly is essential for safe installation. Follow all instructions. Failure to follow these instructions and good sound installation practices can lead to risk of improper venting, fire and carbon monoxide poisoning.
6. All joints must be sealed with the factory installed gasket included in the vent sections.
7. Proper minimum airspace clearance to combustibles must be maintained over the entire length of the system.
8. Do not enclose. No parts of the system may be completely enclosed at minimum clearances in combustible construction.
9. The termination should be located to direct flue gases away from trees, shrubs, or decorative items since flue gases could cause damage and/or risk of fire.
10. If using only the components provided in this kit, the following distances can be achieved. The vertical distance from center of wall thimble to top of water heater outlet must be between 13 1/2" and 16 1/2". Wall thickness must be 5" to 9". Horizontal distance from exterior wall to centerline of heater outlet must be between 9" and 13 1/2".

GENERAL REQUIREMENTS

WARNING: Failure to conform to any of these requirements may violate local, state, or national codes and create conditions that may cause property damage or personal injury.

- Do not penetrate or puncture any part of the system with fasteners unless instructed to do so.
- Additional Saf-T Vent "EZ Seal" lengths may be installed for extended runs. The overall equivalent length of the system shall not exceed the specifications of the appliance manufacturer's instructions.
- On systems incorporating more than 3' of horizontal length, the vent must slope upward toward the termination at least 1/4 inch per foot and be installed so that all condensate runs back toward the appliance and is not retained in any part of the venting system. **EXCEPTION:** If the system is connected to a positive pressure (Category III or IV) appliance, terminates with a horizontal termination, and has no provision for draining condensation and/or rainwater; then the vent must pitch downward toward the termination.
- More than one appliance may not be connected into the same vent kit termination.
- Proper clearance to combustibles must be maintained over the entire length of the system.

CAUTION: The appliance must be mounted far enough from the wall to maintain a minimum clearance of 1 inch airspace between the vertical vent and combustibles. It must also be located so that when the kit is installed, proper minimum clearances to walls, ceilings and / or joists are maintained for all kit components. (See Figs. 2, 4 and 5).

GENERAL TERMINATION GUIDELINES:

NOTICE: The following is to be used as a guideline only. Check with your Code Enforcement Office in your area for specific termination requirements.

- A mechanical draft vent system, excluding direct-vent appliances, shall terminate at least 4 feet below, 4 feet horizontally from, or 1 foot above any door, window, or gravity air inlet into any building.
- The bottom of the vent terminal shall be located at least 12 inches above grade. In geographical areas where the snow accumulates, terminate the system at least 12 inches above the anticipated snow line. The termination must be kept clear of snow and ice at all times.
- Do not terminate over public walkways or over an area where condensate or vapor could create a nuisance or hazard or could be detrimental to the operation of regulators, relief valves, or other equipment.

INSTALLATION INSTRUCTIONS

1. Determine location for installing the Wall Thimble Termination (Item #1). Consider notes 7, 8, 9 and 10 from page 1 when selecting a location for the installation of the appliance and the pipe kit.
2. Prepare wall for Wall Thimble Termination (Item #1). An 8" diameter round opening or an 8" x 8" square opening is required for the 3" diameter pipe kit (model 93QK1H), and a 9" diameter round opening or a 9" x 9" square opening is required for the 4" diameter pipe kit (model 94QK2H).

Note: When cutting square opening, it is recommended to radius or chamfer the corners leaving adequate material for the fasteners to secure into. (See Figure 3).

3. From the outside, slide the Outer half of the Wall Thimble Termination into the wall opening so that the angled hood is on the outside and is facing down. Apply a bead of silicone between the structure and the mounting plate then secure Outer Assembly to the building using the 4 Screws (Item #5) provided with the kit (see fig 5).

4. From the inside, slide the Inner Half for the Wall Thimble Termination assembly into the wall opening so that it engages with the Outer Half of the thimble and seats flush against the inside wall. Fasten Inner Half to inner wall using 4 screws (item 5) provided (See Fig. 5).

5. Prepare pipe segments by lubricating the red gaskets with the Di-Electric Grease provided.

6. Slide the gasket end of the 90 Degree Elbow (Item 2) over the inner pipe within the Wall Thimble Termination until segments are completely engaged (See Fig. 5).

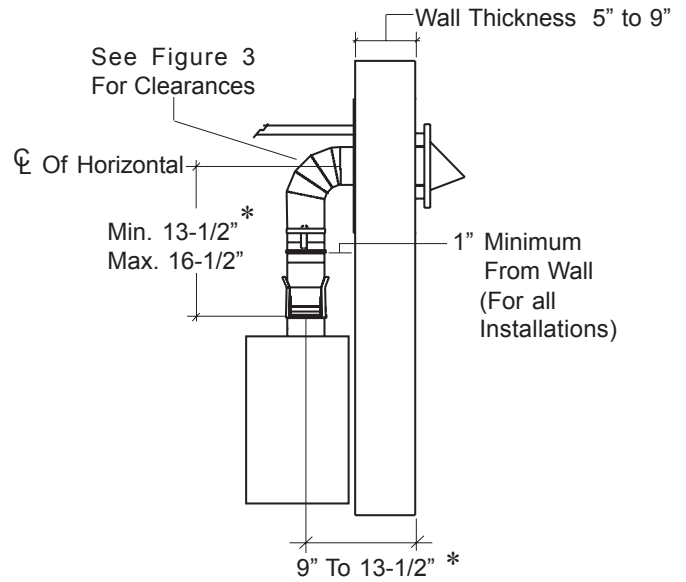
7. Loosen the hose clamp on the 6" Adjustable (Item 3) then slide hose clamp and Adjustable over the elbow, until the segments are completely engaged. Note: Do not tighten hose clamp at this time.
8. Slide the 3 finger tabs of the Appliance Adapter (Item 4) under the slide ring of the 6" Adjustable Length and engage pipe segments.

9. Slide the inlet of the Appliance Adapter down over the outlet of the appliance. Note: For the 4" system, the hose clamp will have to be loosened before installing over the appliance outlet.

10. Adjust the 3 part assembly (Items 2, 4, & 5) vertically and horizontally to achieve the proper clearances. Once everything is properly engaged and aligned, secure the system parts by tightening all hose clamps, and bending the finger tabs of the Appliance Adapter over the slide ring of the Adjustable length.

11. Prior to initial start-up, physically check each part by applying pressure to them to ensure they are secure.

12. The installation must also conform to the requirements of the appliance manufacturer's instructions and applicable local, state or national codes.



Side View Installation Dimensions

Figure 2

* - With Installation of Quick Kit Components Only

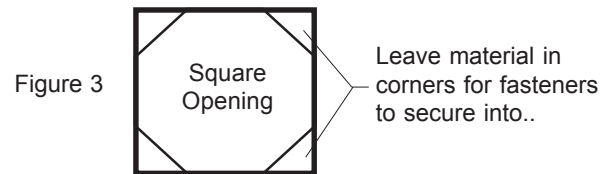
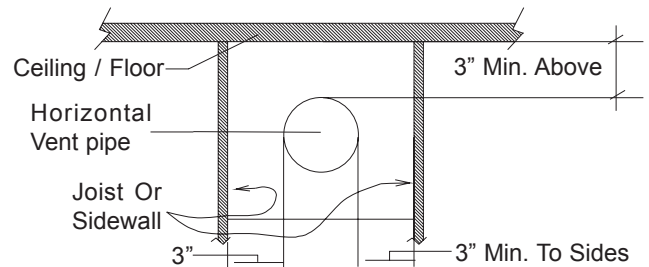


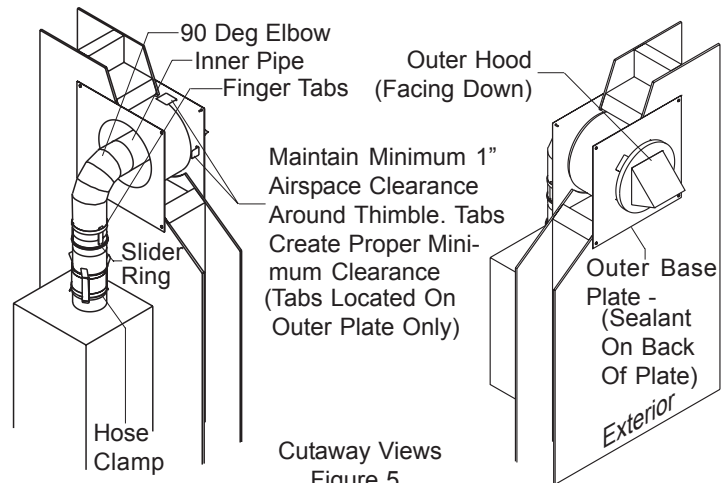
Figure 3



Interior View Minimum Clearance To Combustibles

Do Not Enclose

Figure 4



Cutaway Views

Figure 5