

The Saf-T Vent CI Plus Adjustable Section serves as a variable length between other components when specific lengths cannot be utilized. There is a long, 13 to 20 inch, and a short, 7 to 11 inch, adjustable section.

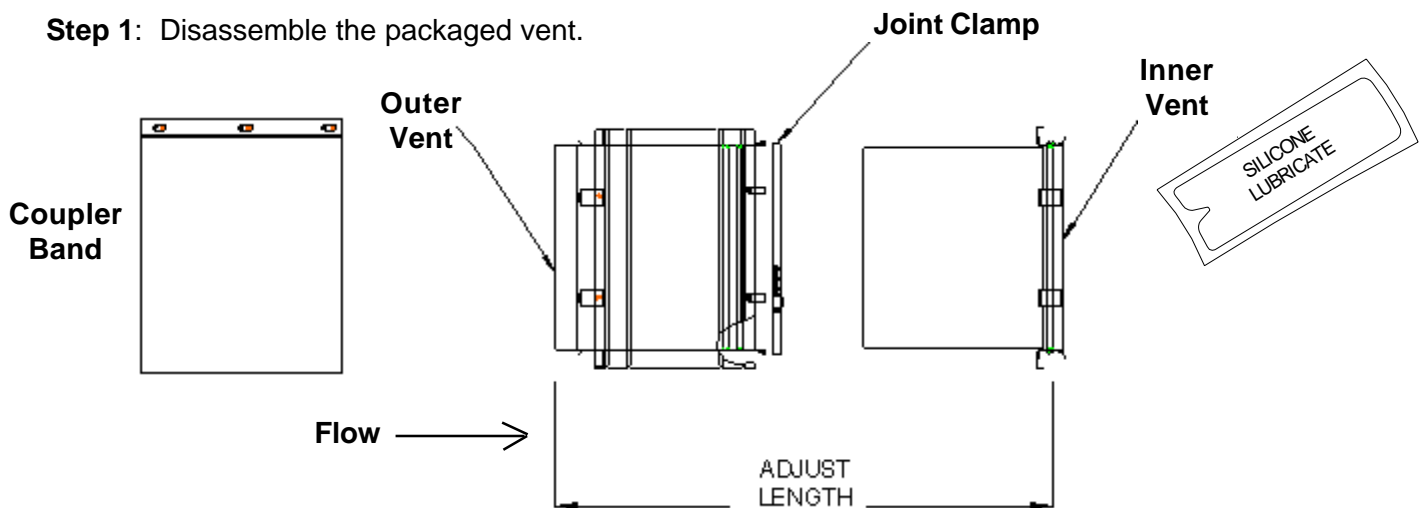
WARNING: The Adjustable Section is not designed to bear vertical force loads. Appropriate supports must be provided.

Note: Vent diameters of 6" thru 16" have a double sealing gasket on the inside of the outer vent, **NO RTV** is needed.

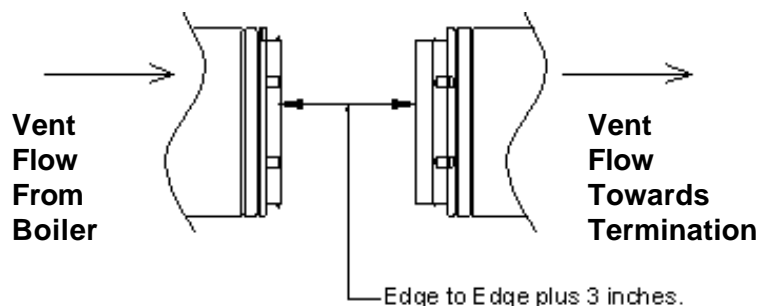
Installation Procedure

The Adjustable assembly consists of 6 components, the female Inner Vent, the male Outer Vent, a Clamp, an alcohol pad, an outer Coupler Band and a packet of silicone lubricant (6"-16" diameter only).

Step 1: Disassemble the packaged vent.

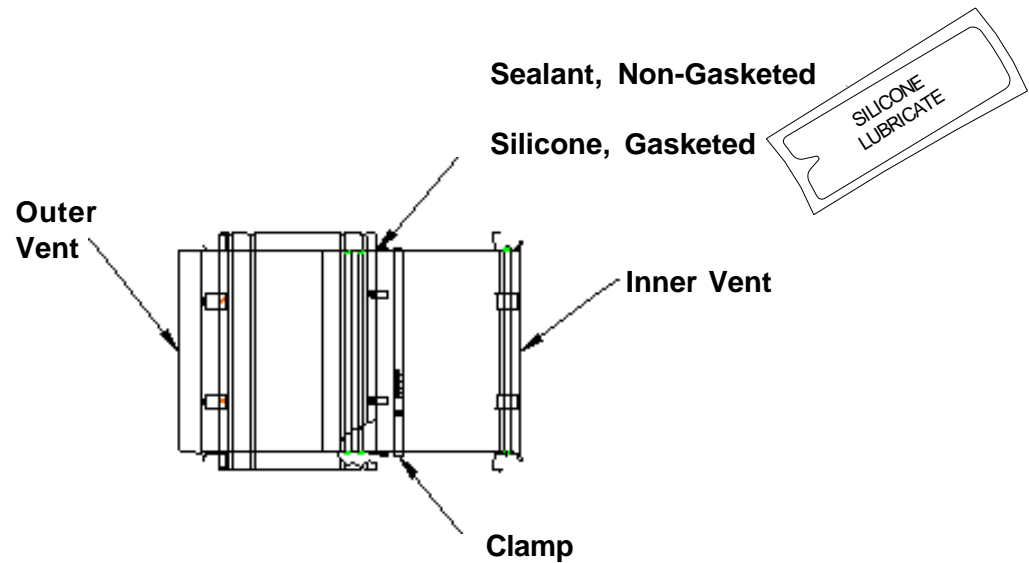


Step 2: Measure edge to edge the distance needed, then add 3 inches total for the joints. The installed length is 13 inches to 20 inches for the long adjustable section and 7 inches to 11 inches for the short adjustable section. **CAUTION:** DO NOT LENGTHEN PAST THE WARNING ARROW.



Step 3: Gasketed: Lightly apply the silicone lubricant to the upper ridges of both gaskets in the outer vent. Slide the Inner Vent into the Outer Vent to the desired overall length.

Non-Gasketed: Slide the Inner Vent into the Outer Vent to the desired overall length, apply a 1/4" bead of RTV sealant into the crevice, completely around the vent. Smooth sealant into place.



Step 4: When the adjustable section is at its desired length, tighten the wormgear clamp securely around the vent to hold the adjustable in place. Do not overtighten, as it may distort the joint.

Step 5: Install the completed Adjustable Section per the Joint Assembly instructions in the CI Plus Installation Instructions, PI-CCINS. After installation check the integrity of the RTV sealed crevice prior to attaching the Coupler Band over the completed Assembly.

